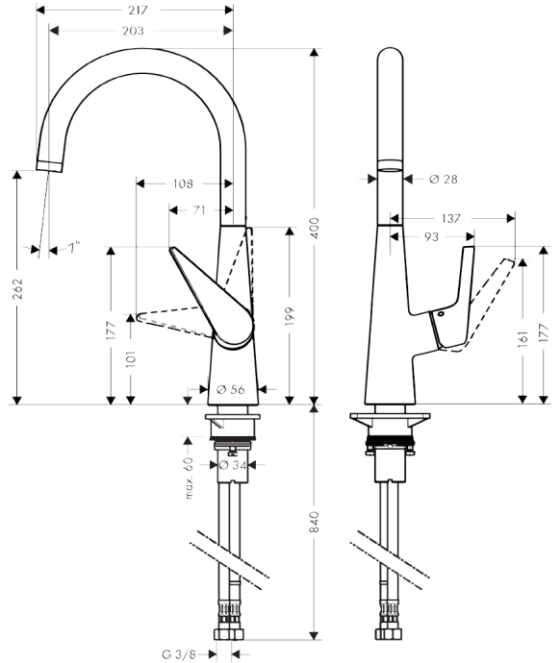


## SPECIFICATION SHEET - fittings

<b>BRAND:</b>	<b>hangrohe</b>	<b>Product Photo:</b>  
<b>ORIGIN:</b>	Germany	
<b>SERIES:</b>	<b>Sink Mixers</b>	
<b>PRODUCT DESCRIPTION:</b>	<b>Allegra Talis S 260</b> single lever kitchen mixer • Flow rate: 12 l./min. at 3 bar • Flow pressure; 1~5 bar (15~70 psi)	
<b>MODEL No.</b>	72810 000	
<b>FINISH/COLOUR:</b>	Chrome-plated	
<b>DIMENSIONS:</b>	400mm height x 217mm length 203mm spout projection	
<b>OPTIONAL MATCHING PARTS:</b>	2x angle valve 1/2"x3/8"	

**Technical Informations:** Suitable for continous flow water heater



<b>REMINDER:</b>	<p style="color: magenta;">Pipe flushing must be done before faucets are installed. Failure to do so voids the warranty.</p> <p>Do not use cleaners containing abrasive cleansers, ammonia, bleach, acids, waxes, alcohol, solvents or other products not recommended for chrome.</p> <p>All information is for reference only, installation shall always be based on the actual product delivered.</p>
------------------	---